

(12) **United States Design Patent**
Chan

(10) **Patent No.:** **US D735,759 S**
(45) **Date of Patent:** **** Aug. 4, 2015**

(54) **IGNITION COIL COVER**

(76) Inventor: **Shihwen Chan**, Downey, CA (US)

(**) Term: **14 Years**

(21) Appl. No.: **29/428,908**

(22) Filed: **Aug. 3, 2012**

(51) **LOC (10) Cl.** **15-01**

(52) **U.S. Cl.**
USPC **D15/5**

(58) **Field of Classification Search**

USPC D13/156, 184, 199; D15/3, 4, 5, 6, 14,
D15/17, 149; 123/22, 41.34, 51 A, 52.1,
123/50 A, 50 B, 54.1, 54.2, 54.4, 54.5, 65 R,
123/195 R, 195 HC, 657, 311, 195 C;
180/68.6, 219

See application file for complete search history.

(56) **References Cited**

U.S. PATENT DOCUMENTS

6,234,265 B1 * 5/2001 Wollmer 180/219
D526,333 S * 8/2006 Mizutani et al. D15/5
D528,130 S * 9/2006 Mizutani D15/5

(Continued)

Primary Examiner — Ian Simmons

Assistant Examiner — Khawaja Anwar

(74) *Attorney, Agent, or Firm* — Anatoly S. Weiser, Esq.

(57) **CLAIM**

The ornamental design for an ignition coil cover, as shown and described.

DESCRIPTION

FIG. 1 is a perspective view of outside of a first piece of a fabricated aluminum two-piece ignition coil cover design;

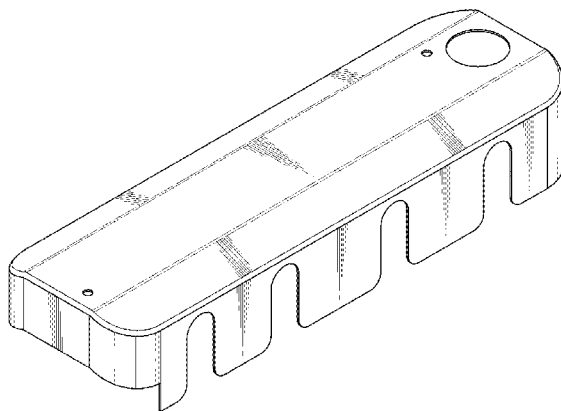


FIG. 2 is another perspective view of the outside of the first piece of the fabricated aluminum two-piece ignition coil cover design;

FIG. 3 is a top plan view of the outside of the first piece of the fabricated aluminum two-piece ignition coil cover design;

FIG. 4 is a bottom plan view of the inside of the first piece of the fabricated aluminum two-piece ignition coil cover design;

FIG. 5 is a first side plan view of the outside of the first piece of the fabricated aluminum two-piece ignition coil cover design;

FIG. 6 is a second side plan view of the outside of the first piece of the fabricated aluminum two-piece ignition coil cover design;

FIG. 7 is a first end plan view of the outside of the first piece of the fabricated aluminum two-piece ignition coil cover design;

FIG. 8 is a second end plan view of the outside of the first piece of the fabricated aluminum two-piece ignition coil cover design;

FIG. 9 is a perspective view of outside of a second piece of the fabricated aluminum two-piece ignition coil cover design;

FIG. 10 is another perspective view of the outside of the second piece of the fabricated aluminum two-piece ignition coil cover design;

FIG. 11 is a top plan view of the outside of the second piece of the fabricated aluminum two-piece ignition coil cover design;

FIG. 12 is a bottom plan view of inside of the second piece of the fabricated aluminum two-piece ignition coil cover design;

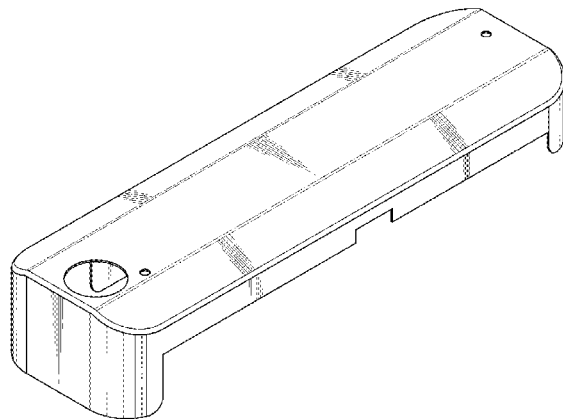
FIG. 13 is a first side plan view of the outside of the second piece of the fabricated aluminum two-piece ignition coil cover design;

FIG. 14 is a second side plan view of the outside of the second piece of the fabricated aluminum two-piece ignition coil cover design;

FIG. 15 is a first end plan view of the outside of the second piece of the fabricated aluminum two-piece ignition coil cover design; and,

FIG. 16 is a second end plan view of the outside of the second piece of the fabricated aluminum two-piece ignition coil cover design.

1 Claim, 4 Drawing Sheets



(56)

References Cited

U.S. PATENT DOCUMENTS

D533,190 S *	12/2006	Huang	D15/5	D607,900 S *	1/2010	Pelini	D15/4
D534,186 S *	12/2006	Tsunoda	D15/5	D626,969 S *	11/2010	Gelardi	D15/5
D537,450 S *	2/2007	Fretwell	D15/4	D648,351 S *	11/2011	Michimura	D15/5
D556,214 S *	11/2007	Fretwell	D15/5	D679,733 S *	4/2013	Armstrong	D15/5
				D709,099 S *	7/2014	Finnie	D15/5

* cited by examiner

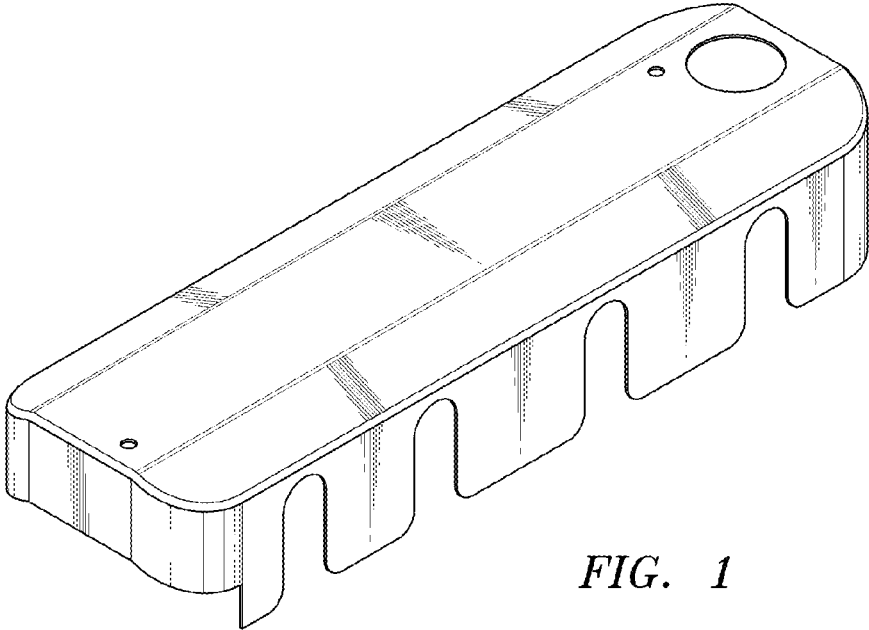


FIG. 1

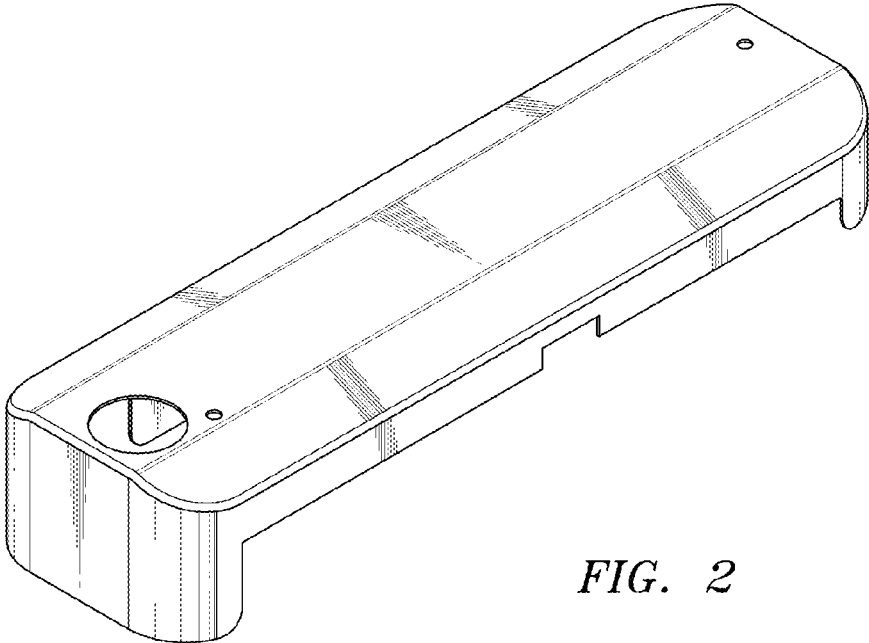


FIG. 2

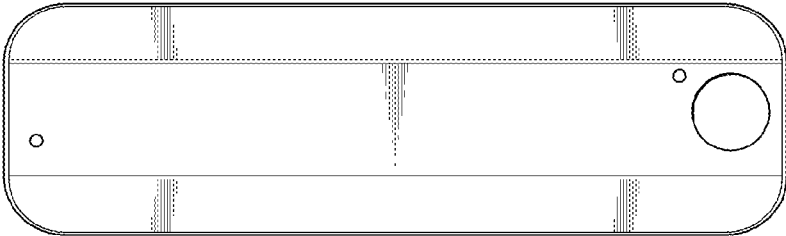


FIG. 3

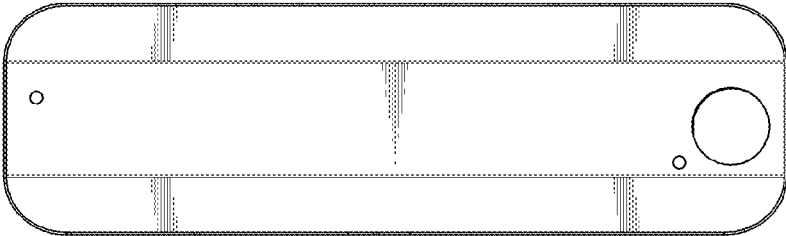


FIG. 4

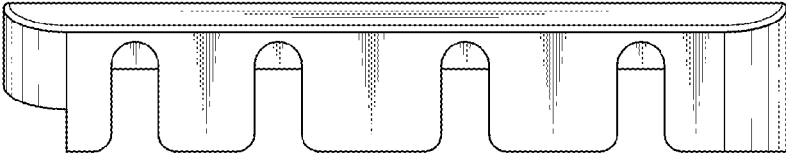


FIG. 5

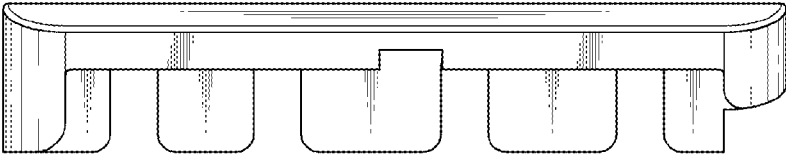


FIG. 6

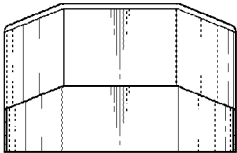


FIG. 7

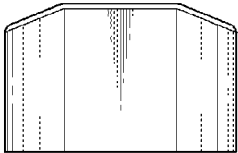


FIG. 8

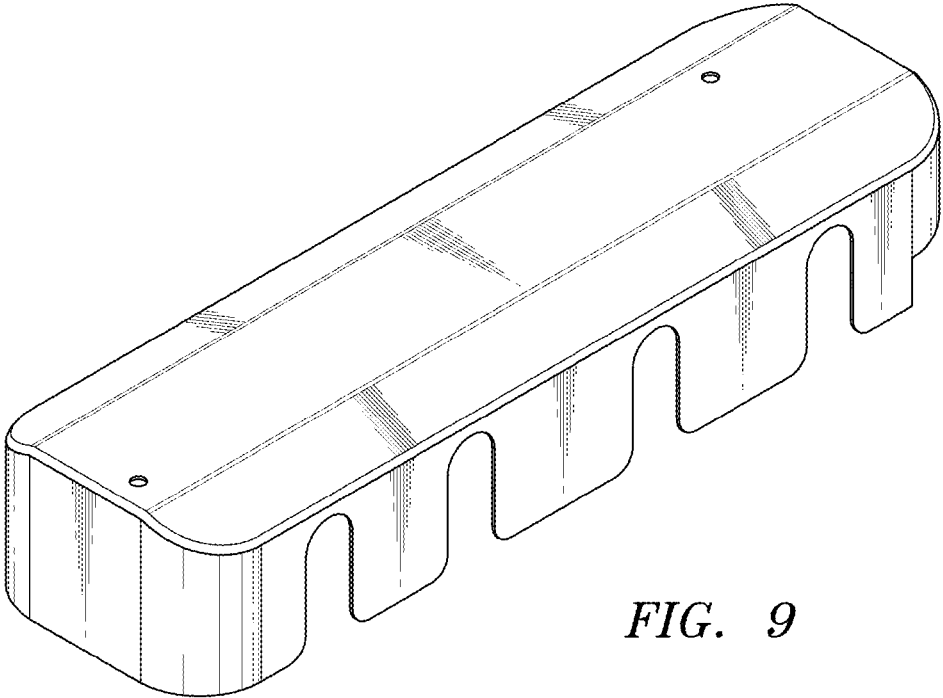


FIG. 9

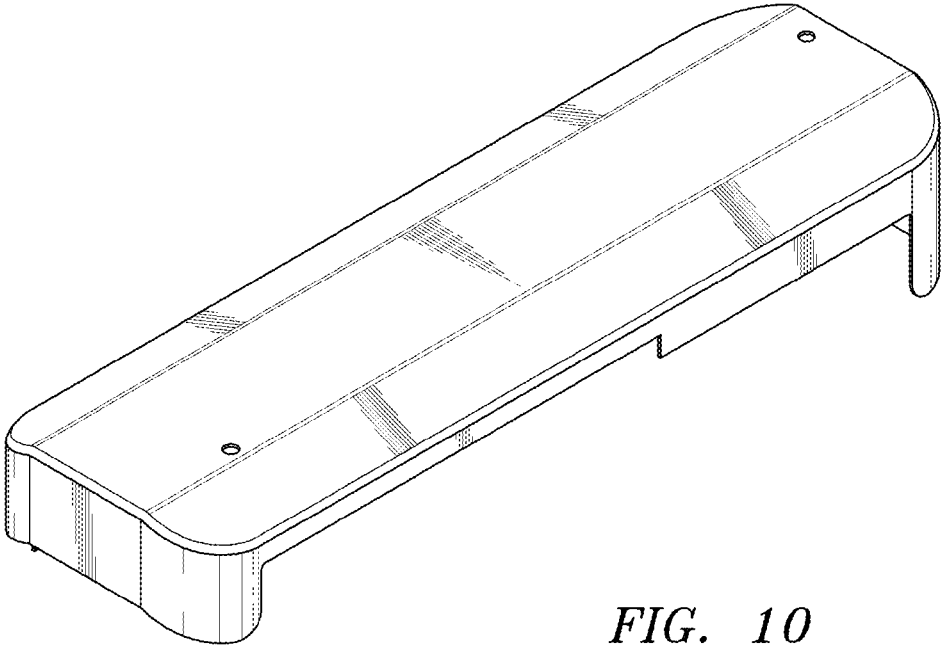


FIG. 10

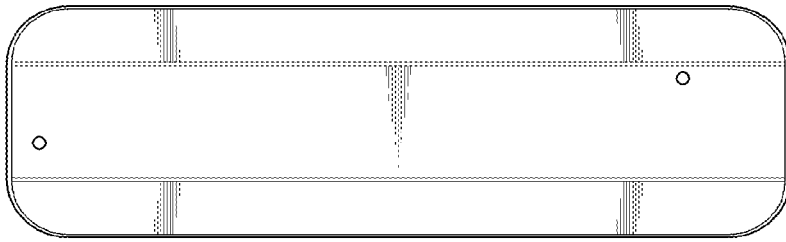


FIG. 11

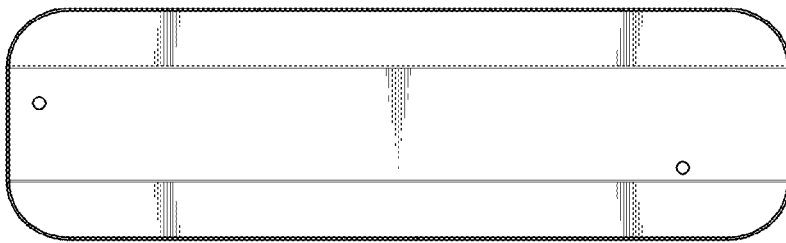


FIG. 12

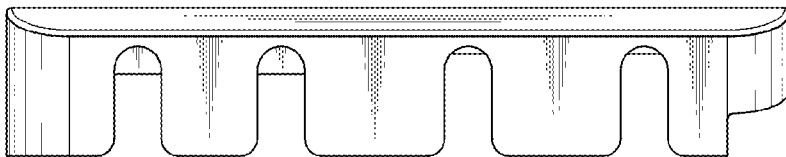


FIG. 13

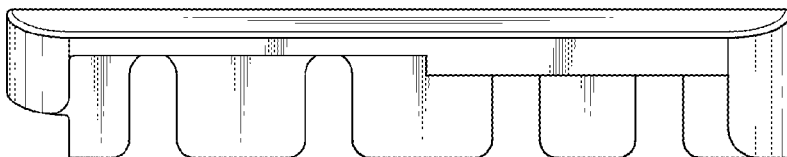


FIG. 14

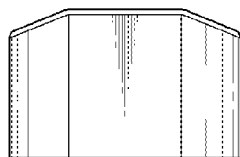


FIG. 15

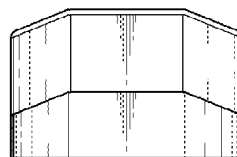


FIG. 16

UNITED STATES PATENT AND TRADEMARK OFFICE
CERTIFICATE OF CORRECTION

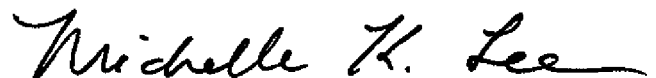
PATENT NO. : D735,759 S
APPLICATION NO. : 29/428908
DATED : August 4, 2015
INVENTOR(S) : Shihwen Chan

Page 1 of 1

It is certified that error appears in the above-identified patent and that said Letters Patent is hereby corrected as shown below:

Title page, right column, in the second line of the description of FIG. 13, cancel "iimition" and replace with --ignition--.

Signed and Sealed this
First Day of March, 2016



Michelle K. Lee
Director of the United States Patent and Trademark Office